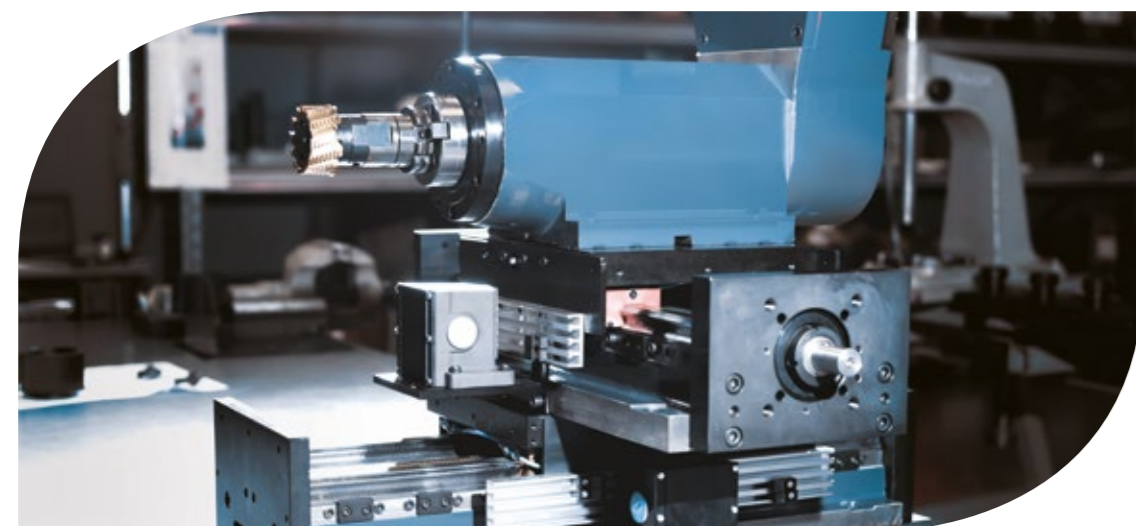


Automatisierungstechnik

Die Drillmatic-Produkte sind Systemkomponenten und Spezialmaschinen zur spanabhebenden Bearbeitung. Die Verwendung ist als eigenständige Einheit oder in Kombination in Ihrer Maschine möglich und sinnvoll.

Im Katalog finden Sie **alle Standardkomponenten**, die für die Realisierung Ihrer Anwendungen notwendig sind.



EUROMAGROUP

MADE IN ITALY

XXIEMTX



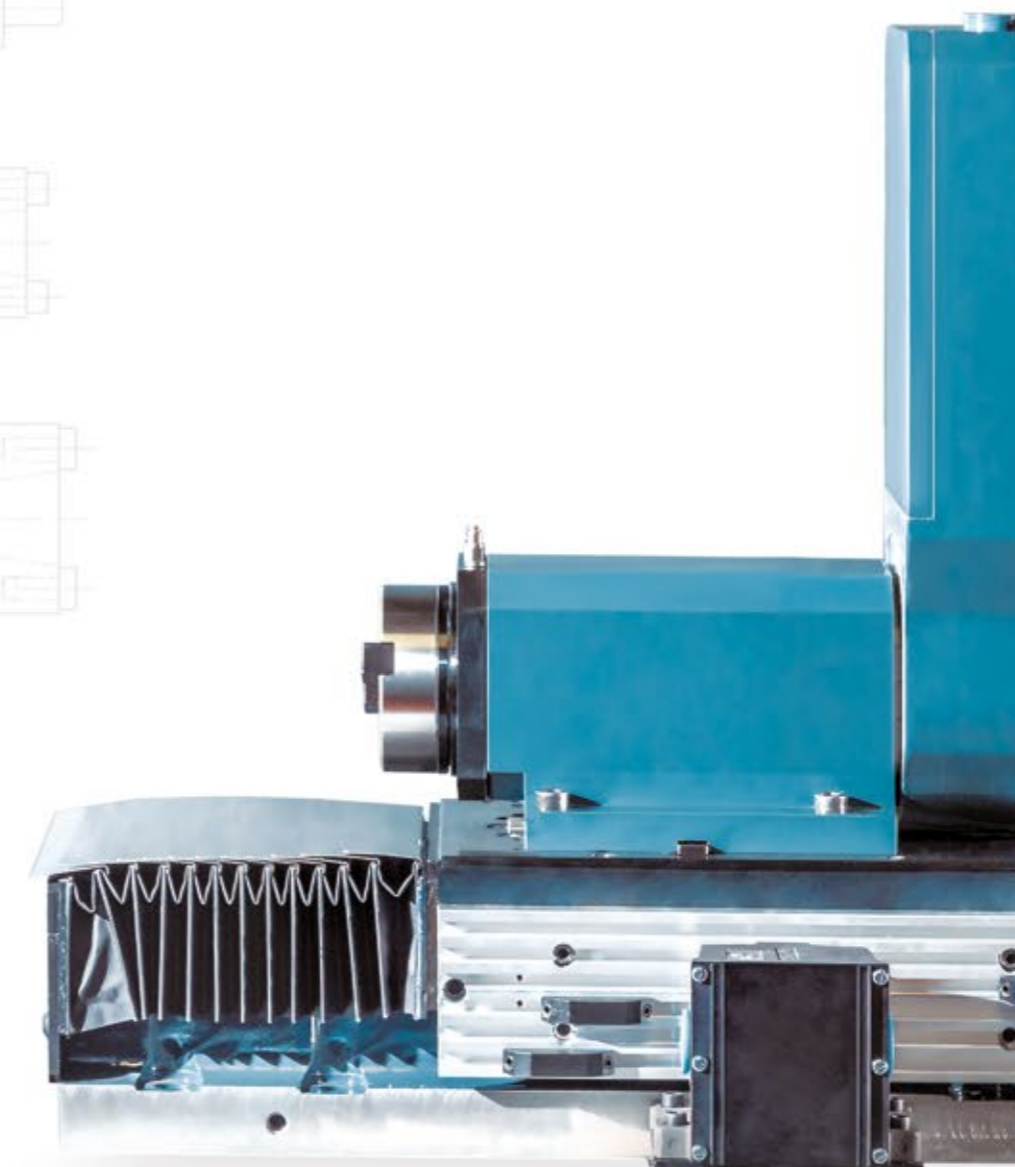
DRILL MATIC

DRILL MATIC

by **EUROMAGROUP**

DRILLING AND TAPPING UNITS
SLIDE UNITS
SPINDLE UNITS

ROTARY TABLES
WORKHOLDING DEVICES
MILLING HEADS



Automation technology

Drillmatic products are intended to realize special equipment or machines for chip removal. They can also be useful for those who need components to be included in their machines.

*In the catalogue you will find **all the standard components** necessary for the realization of your applications.*



- BOHREINHEITEN ▶
- GEWINDESCHNEIDEEINHEITEN ▶
- SPINDELEINHEITEN ▶
- SCHLITTEN ▶
- RUNDSCHALTTISCHE ▶

Übersicht

EUROMAGROUP

Via Cavour, 5 - 40012 Calderara di Reno (BO) Italy
Tel.: +39 051 75 54 23 | info@euromagroup.com

WWW.EUROMAGROUP.COM

EN AUTOMATION TECHNOLOGY

DE AUTOMATISIERUNGSTECHNIK

The Overview

- ▶ DRILLING UNITS
- ▶ TAPPING UNITS
- ▶ MACHINING SPINDLES
- ▶ SLIDE UNITS
- ▶ ROTARY TABLES

DRILL MATIC
by EUROMAGROUP

DRILLING AND TAPPING UNITS
BOHREINHEITEN UND GEWINDESCHNEIDEINHEITEN

SLIDE UNITS AND MACHINING SPINDLES
SCHLITTEN UND SPINDELEINHEITEN

OPERATING UNITS
BEARBEITUNGSEINHEIT

ROTARY TABLES
RUNDSCHALTTSICHE

DRILL MATIC
by EUROMAGROUP

DK10

- ▶ Stroke Hub 75/150 mm
- ▶ Drilling capacity in steel R=60 Bohrleistung in Stahl R=60 \varnothing 10
- ▶ Motor Motor 0.75 kW
- ▶ Thrust Vorschubkraft 1350 N



TK12

- ▶ Stroke Hub 50/100 mm
- ▶ Drilling capacity in steel R=60 Bohrleistung in Stahl R=60 M12
- ▶ Motor Motor 0.75 kW
- ▶ Lead screw unit Leitspindel-einheiten



EK28

- ▶ Stroke Hub 200/300 mm
- ▶ Ball screw Kugelumlaufspindel \varnothing 20 x 5 mm
- ▶ Max strenght Max. Vorschubkraft 7000 N



DK22

- ▶ Drilling capacity in steel R=60 Bohrleistung in Stahl R=60 \varnothing 15
- ▶ Motor Motor 1.5 kW
- ▶ Toolholder Werkzeugaufnahme ISO30



DK18

- ▶ Stroke Hub 100/150 mm
- ▶ Drilling capacity in steel R=60 Bohrleistung in Stahl R=60 \varnothing 18
- ▶ Motor Motor 1.5 kW
- ▶ Thrust Vorschubkraft 4000 N



TK20

- ▶ Stroke Hub 80/100 mm
- ▶ Drilling capacity in steel R=60 Bohrleistung in Stahl R=60 M28
- ▶ Motor Motor 1.5 kW
- ▶ Lead screw unit Leitspindel-einheiten



EK32

- ▶ Stroke Hub 250/400 mm
- ▶ Ball screw Kugelumlaufspindel \varnothing 25 x 5 mm
- ▶ Max strenght Max. Vorschubkraft 9000 N



DK28

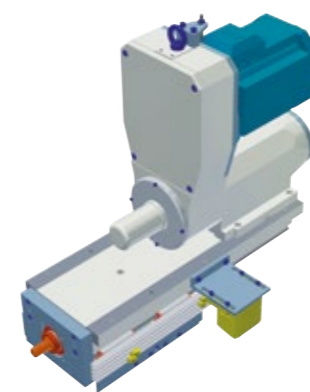
- ▶ Drilling capacity in steel R=60 Bohrleistung in Stahl R=60 \varnothing 28 \varnothing 35
- ▶ Motor Motor 3 kW
- ▶ Toolholder Werkzeugaufnahme ISO30 ISO40 HSK63



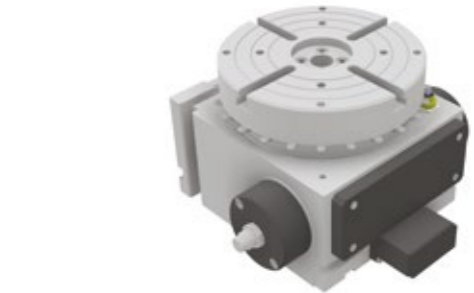
Operating unit with spindle at right angle
Bearbeitungseinheit mit rechtwinkliger Spindel



Operating unit with up side down slide unit and in line spindle
Bearbeitungseinheit mit um 180° gerdrehtem Schlitten und koaxialer Spindel

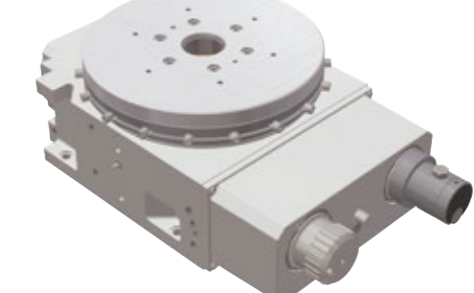


Operating unit with in line spindle
Bearbeitungseinheit mit koaxialer Spindel



TA220

- ▶ Plate diameter Tischdurchmesser \varnothing 220
- ▶ Indexing accuracy Teilgenauigkeit \pm 5 Arc.sec
- ▶ Rotation torque Drehmoment 25 Nm



TA326

- ▶ Plate diameter Tischdurchmesser \varnothing 320
- ▶ Indexing accuracy Teilgenauigkeit \pm 5 Arc.sec
- ▶ Rotation torque Drehmoment 100 Nm

DK24

- ▶ Stroke Hub 120 mm
- ▶ Drilling capacity in steel R=60 Bohrleistung in Stahl R=60 \varnothing 24
- ▶ Motor Motor 3 kW
- ▶ Thrust Vorschubkraft 5500 N



TK28

- ▶ Stroke Hub 120 mm
- ▶ Drilling capacity in steel R=60 Bohrleistung in Stahl R=60 M20
- ▶ Motor Motor 3 kW
- ▶ Lead screw unit Leitspindel-einheiten



EK38

- ▶ Stroke Hub 200/300/400/600 mm
- ▶ Ball screw Kugelumlaufspindel \varnothing 40 x 5 mm
- ▶ Max strenght Max. Vorschubkraft 21400 N



DK38

- ▶ Drilling capacity in steel R=60 Bohrleistung in Stahl R=60 \varnothing 46 \varnothing 50
- ▶ Motor Motor 4 kW
- ▶ Toolholder Werkzeugaufnahme ISO40 ISO50 HSK63



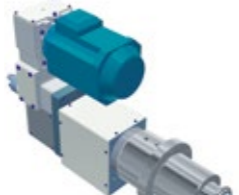
DK42

- ▶ Stroke Hub 160 mm
- ▶ Drilling capacity in steel R=60 Bohrleistung in Stahl R=60 \varnothing 42
- ▶ Motor Motor 3 kW
- ▶ Thrust Vorschubkraft 9700 N



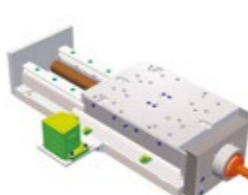
TK42

- ▶ Stroke Hub 80/130 mm
- ▶ Drilling capacity in steel R=60 Bohrleistung in Stahl R=60 M42
- ▶ Motor Motor 4 kW
- ▶ Lead screw unit Leitspindel-einheiten



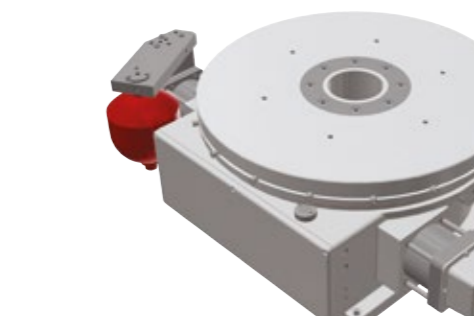
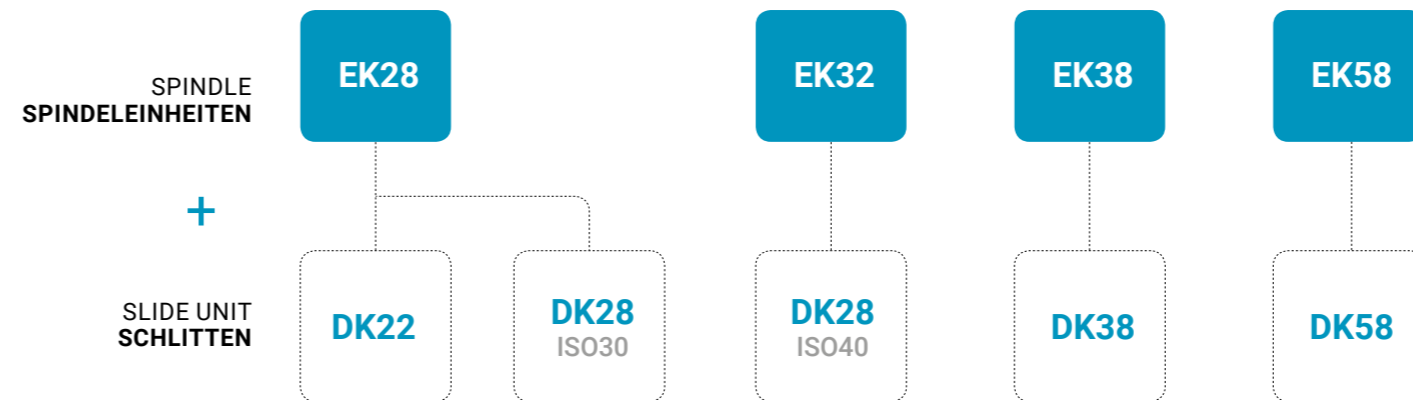
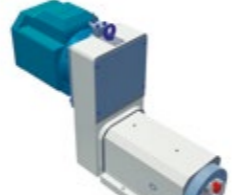
EK58

- ▶ Stroke Hub 300 mm
- ▶ Ball screw Kugelumlaufspindel \varnothing 40 x 5 mm
- ▶ Max strenght Max. Vorschubkraft 21400 N



DK58

- ▶ Drilling capacity in steel R=60 Bohrleistung in Stahl R=60 \varnothing 60
- ▶ Motor Motor 9 kW
- ▶ Toolholder Werkzeugaufnahme ISO50 HSK63



TA600

- ▶ Plate diameter Tischdurchmesser \varnothing 600
- ▶ Indexing accuracy Teilgenauigkeit \pm 10 Arc.sec
- ▶ Rotation torque Drehmoment 350 Nm



TA700

- ▶ Plate diameter Tischdurchmesser \varnothing 700
- ▶ Indexing accuracy Teilgenauigkeit \pm 5 Arc.sec
- ▶ Rotation torque Drehmoment 1600 Nm